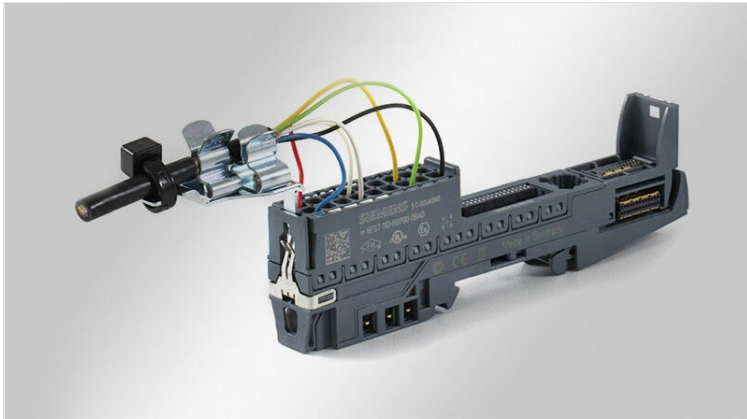


# EMC shield clamps for bus modules

with plug-in mounting function



RoHS  
compliant



Made in  
Germany

The EMC shield clamp provides strain relief, cable guidance and earthing for decentralised bus modules of numerous manufacturers. The STFZ2 types are used for analogue I/O modules using two actuators / sensors.

## Type STFZ|SKL is suitable for:

**Bosch Rexroth:** IP20 Inline Module

**PHOENIX CONTACT:** All terminals of the INLINE range. The terminals 1.4 and 2.4 must not be used for signal I/O.

**Pilz:** All PSSu-Modules with shield terminals 13 and 23

**Siemens:** All terminals of the ET200s range. Terminals 4 and 8 must not be used for signal I/O.

**TURCK:** All terminals of the BL20 I/O system.

**VIPA SLIO:** All terminals of the SLIO range. Terminals 4+8 must not be used for signal I/O.

**WAGO:** All terminals of the WAGO I/O Systems 750. Terminals 4 and 8 must not be used for signal I/O.

**Rockwell Automation / Allen-Bradley:** Series 1734

The STFZ I/O Insert Tool can be used for quick and easy mounting of STFZ terminal clamps.

## Type STFZ-SP|SKL is suitable for:

**Siemens:** SIMATIC ET 200SP

## Type STFZ-U|SKL is suitable for:

**BECKHOFF:** EL 3122, ES 3122, ES 9100, ES 9410, KL 1114, KS 2134

## Specifications

<b>Material</b>	Shield clamp: Spring steel, zinc plated Snap foot: Mild steel, galvanically zinc plated
<b>Properties</b>	vibration proof
<b>Mounting options</b>	Snap-in

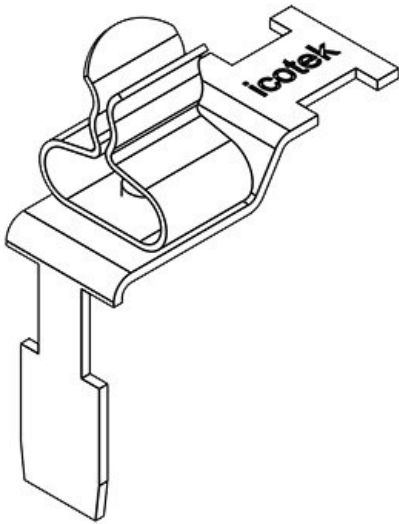
## Advantages & benefits

- Large contact area
- Shield contact and strain relief separated
- The spring design requires no adjustments and will permanently maintain contact to the cable shield
- Earthing of signal cables close to the terminal
- Strain relief and cable management directly on the bus module

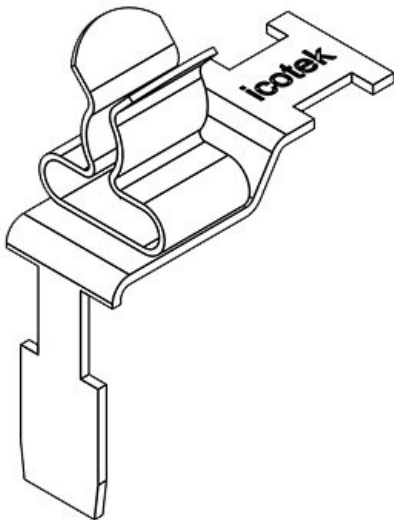
## Product types & sizes

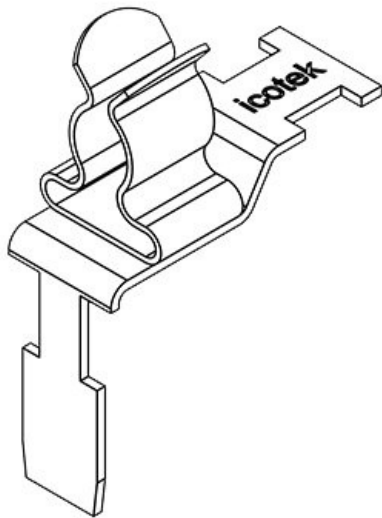
**STFZ-SP|SKL 1.5-3**

Part No.	<b>37512.1</b>	Length	<b>26,5 mm</b>
EAN	<b>4251269305</b>	Width	<b>11,8 mm</b>
	<b>696</b>	Height	<b>32,9 mm</b>
Package quantity	<b>10</b>		
No. of shield clamps	<b>1</b>		
For max. no. of cables	<b>1</b>		
Min. shield diam. pos. 1	<b>1,5 mm</b>		
Max. shield diam. pos. 1	<b>3 mm</b>		

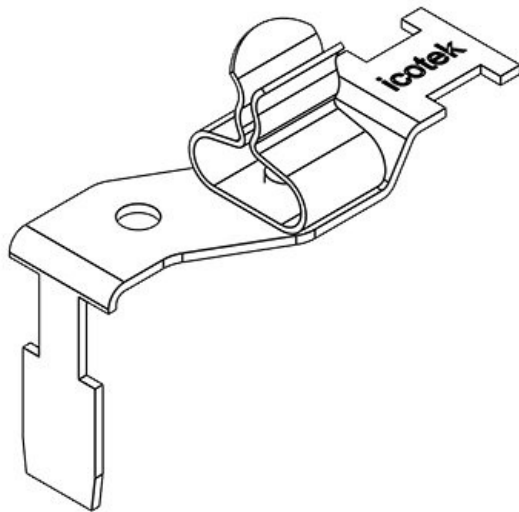
**STFZ-SP|SKL 3-6**

Part No.	<b>37512.2</b>	Length	<b>26,5 mm</b>
EAN	<b>4251269305</b>	Width	<b>11,8 mm</b>
	<b>702</b>	Height	<b>33,6 mm</b>
Package quantity	<b>10</b>		
No. of shield clamps	<b>1</b>		
For max. no. of cables	<b>1</b>		
Min. shield diam. pos. 1	<b>3 mm</b>		
Max. shield diam. pos. 1	<b>6 mm</b>		





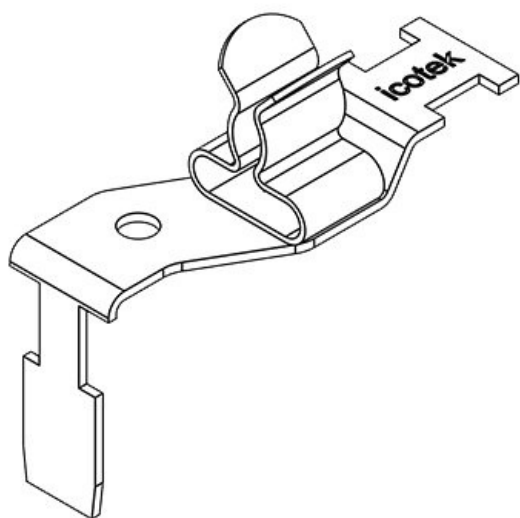
Part No.	<b>37512.3</b>	Length	<b>26,5 mm</b>
EAN	<b>4251269305</b>	Width	<b>11,8 mm</b>
	<b>719</b>	Height	<b>35 mm</b>
Package quantity	<b>10</b>		
No. of shield clamps	<b>1</b>		
For max. no. of cables	<b>1</b>		
Min. shield diam. pos. 1	<b>6 mm</b>		
Max. shield diam. pos. 1	<b>8 mm</b>		



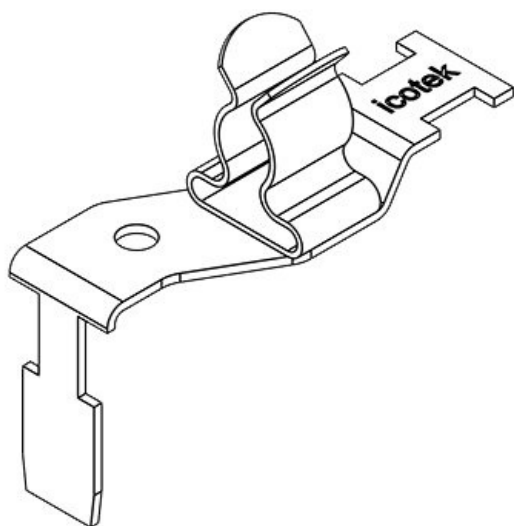
Part No.	<b>37507.01</b>	Length	<b>36,5 mm</b>
EAN	<b>4251269305</b>	Width	<b>15,9 mm</b>
	<b>511</b>	Height	<b>32,9 mm</b>
Package quantity	<b>10</b>		
No. of shield clamps	<b>1</b>		
For max. no. of cables	<b>1</b>		
Min. shield diam. pos. 2	<b>1,5 mm</b>		
Max. shield diam. pos. 2	<b>3 mm</b>		

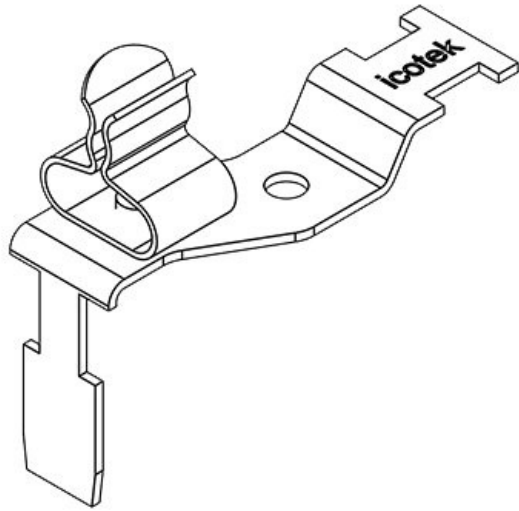
**STFZ2-SP|02**

Part No.	<b>37507.02</b>	Length	<b>36,5 mm</b>
EAN	<b>4251269305</b>	Width	<b>15,9 mm</b>
	<b>528</b>	Height	<b>33,6 mm</b>
Package quantity	<b>10</b>		
No. of shield clamps	<b>1</b>		
For max. no. of cables	<b>1</b>		
Min. shield diam. pos. 2	<b>3 mm</b>		
Max. shield diam. pos. 2	<b>6 mm</b>		

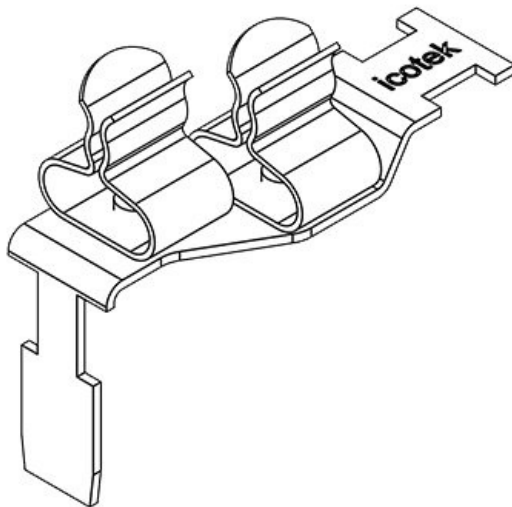
**STFZ2-SP|03**

Part No.	<b>37507.03</b>	Length	<b>36,5 mm</b>
EAN	<b>4251269305</b>	Width	<b>15,9 mm</b>
	<b>535</b>	Height	<b>35 mm</b>
Package quantity	<b>10</b>		
No. of shield clamps	<b>1</b>		
For max. no. of cables	<b>1</b>		
Min. shield diam. pos. 2	<b>6 mm</b>		
Max. shield diam. pos. 2	<b>8 mm</b>		



**STFZ2-SP|10**

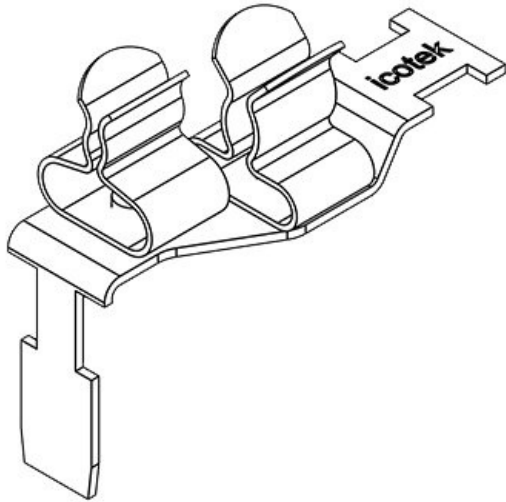
Part No.	<b>37507.10</b>	Length	<b>36,5 mm</b>
EAN	<b>4251269305</b>	Width	<b>15,9 mm</b>
	<b>542</b>	Height	<b>32,9 mm</b>
Package quantity	<b>10</b>		
No. of shield clamps	<b>1</b>		
For max. no. of cables	<b>1</b>		
Min. shield diam. pos. 1	<b>1,5 mm</b>		
Max. shield diam. pos. 1	<b>3 mm</b>		

**STFZ2-SP|11**

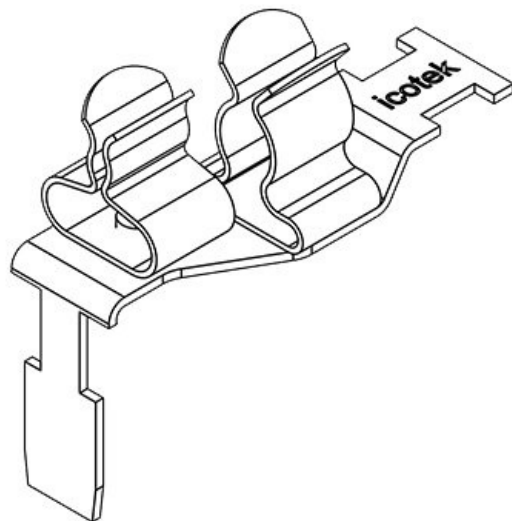
Part No.	<b>37507.11</b>	Min. shield diam. pos. 2	<b>1,5 mm</b>
EAN	<b>4251269305</b>	Max. shield diam. pos. 2	<b>3 mm</b>
	<b>559</b>	Length	<b>36,5 mm</b>
Package quantity	<b>10</b>	Width	<b>15,9 mm</b>
No. of shield clamps	<b>2</b>	Height	<b>32,9 mm</b>
For max. no. of cables	<b>2</b>		
Min. shield diam. pos. 1	<b>1,5 mm</b>		
Max. shield diam. pos. 1	<b>3 mm</b>		

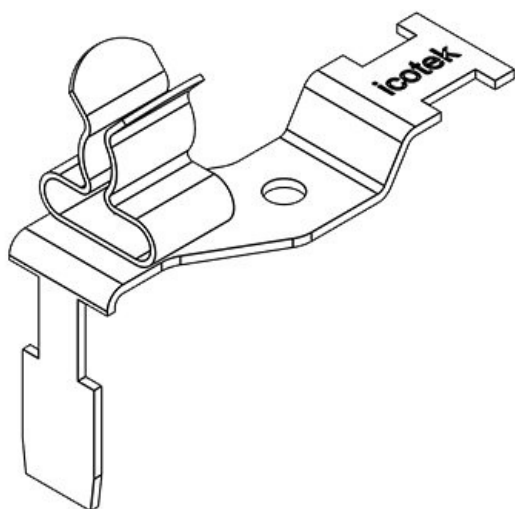
**STFZ2-SP|12**

Part No.	<b>37507.12</b>	Min. shield	<b>3 mm</b>
EAN	<b>4251269305</b>	diam. pos. 2	
	<b>566</b>	Max. shield	<b>6 mm</b>
Package	<b>10</b>	diam. pos. 2	
quantity		Length	<b>36,5 mm</b>
No. of shield	<b>2</b>	Width	<b>16,8 mm</b>
clamps		Height	<b>33,6 mm</b>
For max. no. of	<b>2</b>		
cables			
Min. shield	<b>1,5 mm</b>		
diam. pos. 1			
Max. shield	<b>3 mm</b>		
diam. pos. 1			

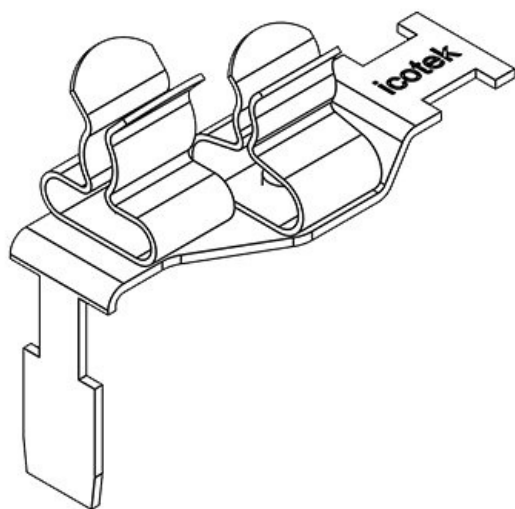
**STFZ2-SP|13**

Part No.	<b>37507.13</b>	Min. shield	<b>6 mm</b>
EAN	<b>4251269305</b>	diam. pos. 2	
	<b>573</b>	Max. shield	<b>8 mm</b>
Package	<b>10</b>	diam. pos. 2	
quantity		Length	<b>36,5 mm</b>
No. of shield	<b>2</b>	Width	<b>16,8 mm</b>
clamps		Height	<b>35 mm</b>
For max. no. of	<b>2</b>		
cables			
Min. shield	<b>1,5 mm</b>		
diam. pos. 1			
Max. shield	<b>3 mm</b>		
diam. pos. 1			



**STFZ2-SP|20**

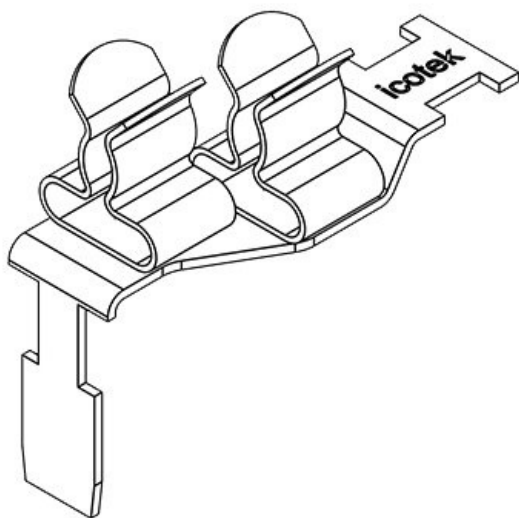
Part No.	<b>37507.20</b>	Length	<b>36,5 mm</b>
EAN	<b>4251269305</b>	Width	<b>15,9 mm</b>
	<b>580</b>	Height	<b>33,6 mm</b>
Package quantity	<b>10</b>		
No. of shield clamps	<b>1</b>		
For max. no. of cables	<b>1</b>		
Min. shield diam. pos. 1	<b>3 mm</b>		
Max. shield diam. pos. 1	<b>6 mm</b>		

**STFZ2-SP|21**

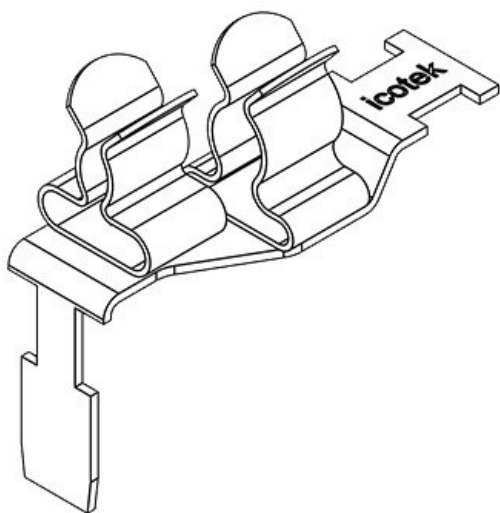
Part No.	<b>37507.21</b>	Min. shield diam. pos. 2	<b>1,5 mm</b>
EAN	<b>4251269305</b>	Max. shield diam. pos. 2	<b>3 mm</b>
	<b>597</b>	Length	<b>36,5 mm</b>
Package quantity	<b>10</b>	Width	<b>16,8 mm</b>
No. of shield clamps	<b>2</b>	Height	<b>33,6 mm</b>
For max. no. of cables	<b>2</b>		
Min. shield diam. pos. 1	<b>3 mm</b>		
Max. shield diam. pos. 1	<b>6 mm</b>		

**STFZ2-SP|22**

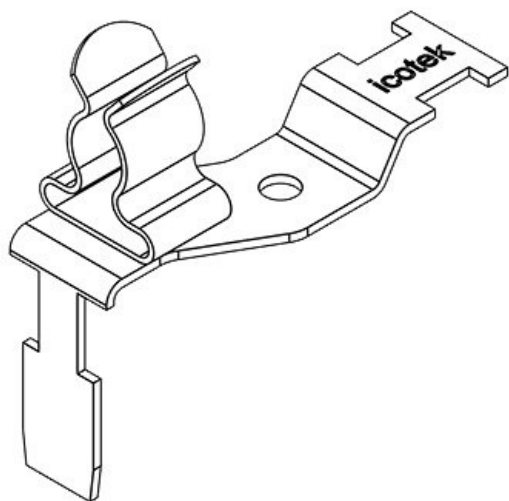
Part No.	<b>37507.22</b>	Min. shield	<b>3 mm</b>
EAN	<b>4251269305</b>	diam. pos. 2	
	<b>603</b>	Max. shield	<b>6 mm</b>
Package	<b>10</b>	diam. pos. 2	
quantity		Length	<b>36,5 mm</b>
No. of shield	<b>2</b>	Width	<b>16,8 mm</b>
clamps		Height	<b>33,6 mm</b>
For max. no. of	<b>2</b>		
cables			
Min. shield	<b>3 mm</b>		
diam. pos. 1			
Max. shield	<b>6 mm</b>		
diam. pos. 1			

**STFZ2-SP|23**

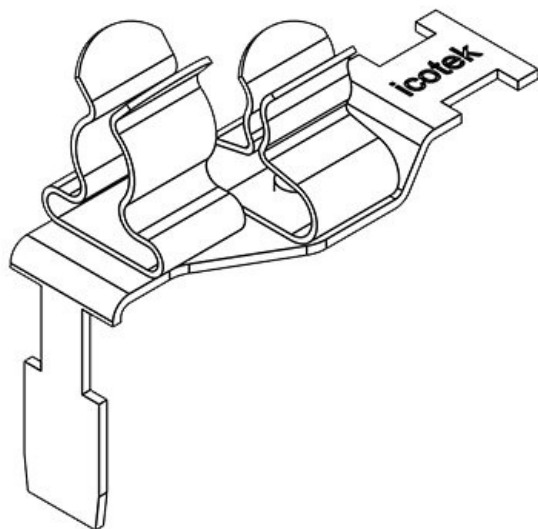
Part No.	<b>37507.23</b>	Min. shield	<b>6 mm</b>
EAN	<b>4251269305</b>	diam. pos. 2	
	<b>610</b>	Max. shield	<b>8 mm</b>
Package	<b>10</b>	diam. pos. 2	
quantity		Length	<b>36,5 mm</b>
No. of shield	<b>2</b>	Width	<b>16,8 mm</b>
clamps		Height	<b>35 mm</b>
For max. no. of	<b>2</b>		
cables			
Min. shield	<b>3 mm</b>		
diam. pos. 1			
Max. shield	<b>6 mm</b>		
diam. pos. 1			





**STFZ2-SP|30**

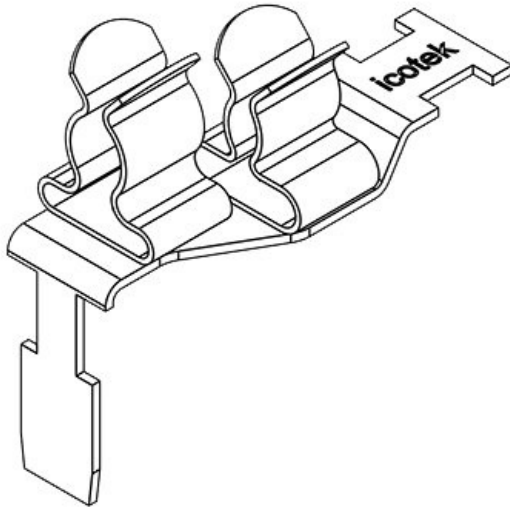
Part No.	<b>37507.30</b>	Length	<b>36,5 mm</b>
EAN	<b>4251269305</b>	Width	<b>15,9 mm</b>
	<b>627</b>	Height	<b>35 mm</b>
Package quantity	<b>10</b>		
No. of shield clamps	<b>1</b>		
For max. no. of cables	<b>1</b>		
Min. shield diam. pos. 1	<b>6 mm</b>		
Max. shield diam. pos. 1	<b>8 mm</b>		

**STFZ2-SP|31**

Part No.	<b>37507.31</b>	Min. shield diam. pos. 2	<b>1,5 mm</b>
EAN	<b>4251269305</b>	Max. shield diam. pos. 2	<b>3 mm</b>
	<b>634</b>	Length	<b>36,5 mm</b>
Package quantity	<b>10</b>	Width	<b>16,8 mm</b>
No. of shield clamps	<b>2</b>	Height	<b>35 mm</b>
For max. no. of cables	<b>2</b>		
Min. shield diam. pos. 1	<b>6 mm</b>		
Max. shield diam. pos. 1	<b>8 mm</b>		

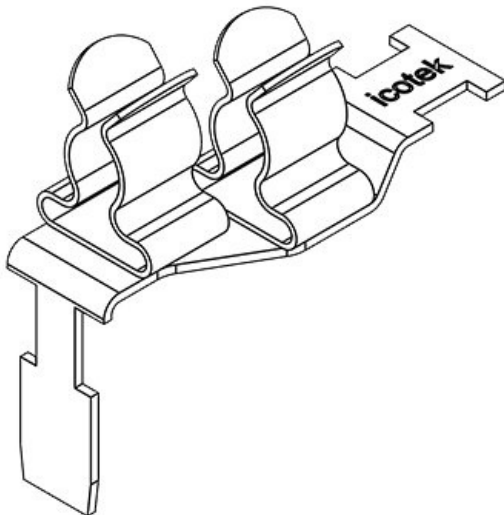
STFZ2-SP|32

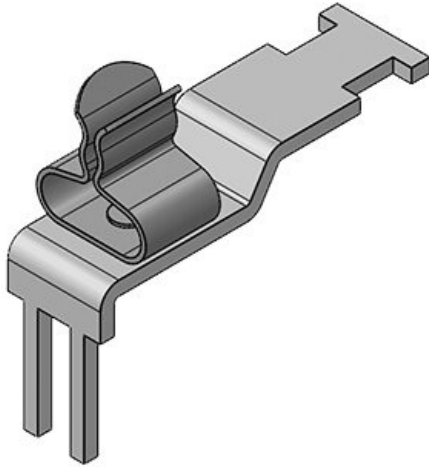
Part No.	<b>37507.32</b>	Min. shield	<b>3 mm</b>
EAN	<b>4251269305</b>	diam. pos. 2	
	<b>641</b>	Max. shield	<b>6 mm</b>
Package	<b>10</b>	diam. pos. 2	
quantity		Length	<b>36,5 mm</b>
No. of shield	<b>2</b>	Width	<b>16,8 mm</b>
clamps		Height	<b>35 mm</b>
For max. no. of 2			
cables			
Min. shield	<b>6 mm</b>		
diam. pos. 1			
Max. shield	<b>8 mm</b>		
diam. pos. 1			



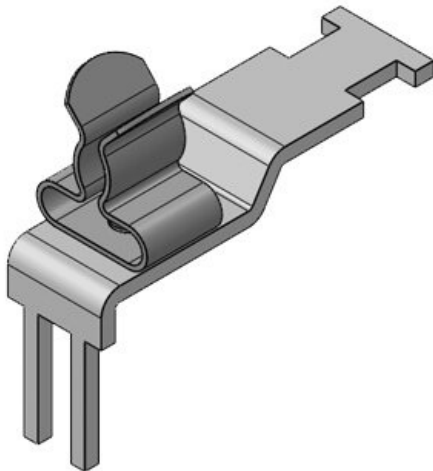
STFZ2-SP|33

Part No.	<b>37507.33</b>	Min. shield	<b>6 mm</b>
EAN	<b>4251269305</b>	diam. pos. 2	
	<b>658</b>	Max. shield	<b>8 mm</b>
Package	<b>10</b>	diam. pos. 2	
quantity		Length	<b>36,5 mm</b>
No. of shield	<b>2</b>	Width	<b>16,8 mm</b>
clamps		Height	<b>35 mm</b>
For max. no. of 2			
cables			
Min. shield	<b>6 mm</b>		
diam. pos. 1			
Max. shield	<b>8 mm</b>		
diam. pos. 1			



**STFZ-U|SKL 1.5-3**

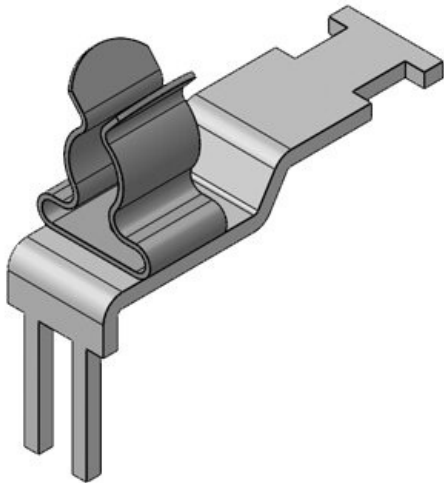
Part No.	<b>37514.1</b>	Length	<b>35,5 mm</b>
EAN	<b>4251269305</b>	Width	<b>11,8 mm</b>
	<b>726</b>	Height	<b>29,9 mm</b>
Package quantity	<b>10</b>		
No. of shield clamps	<b>1</b>		
For max. no. of cables	<b>1</b>		
Min. shield diam. pos. 1	<b>1,5 mm</b>		
Max. shield diam. pos. 1	<b>3 mm</b>		

**STFZ-U|SKL 3-6**

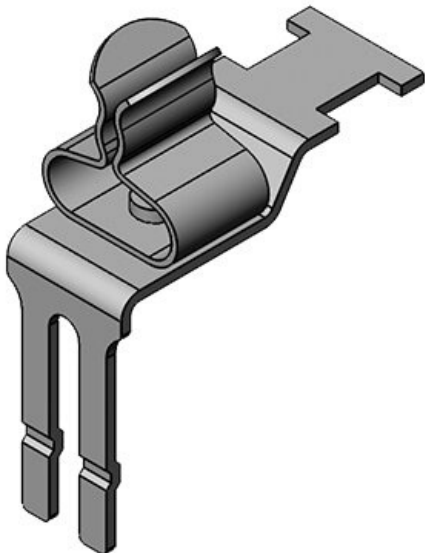
Part No.	<b>37514.2</b>	Length	<b>35,5 mm</b>
EAN	<b>4251269305</b>	Width	<b>11,8 mm</b>
	<b>733</b>	Height	<b>30,6 mm</b>
Package quantity	<b>10</b>		
No. of shield clamps	<b>1</b>		
For max. no. of cables	<b>1</b>		
Min. shield diam. pos. 1	<b>3 mm</b>		
Max. shield diam. pos. 1	<b>6 mm</b>		

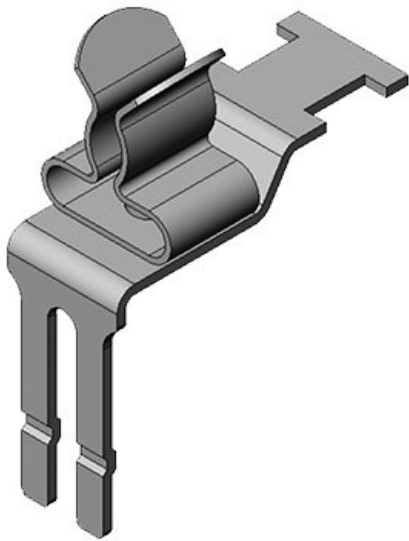
**STFZ-U|SKL 6-8**

Part No.	<b>37514.3</b>	Length	<b>35,5 mm</b>
EAN	<b>4251269305</b>	Width	<b>11,8 mm</b>
	<b>740</b>	Height	<b>31,6 mm</b>
Package quantity	<b>10</b>		
No. of shield clamps	<b>1</b>		
For max. no. of cables	<b>1</b>		
Min. shield diam. pos. 1	<b>6 mm</b>		
Max. shield diam. pos. 1	<b>8 mm</b>		

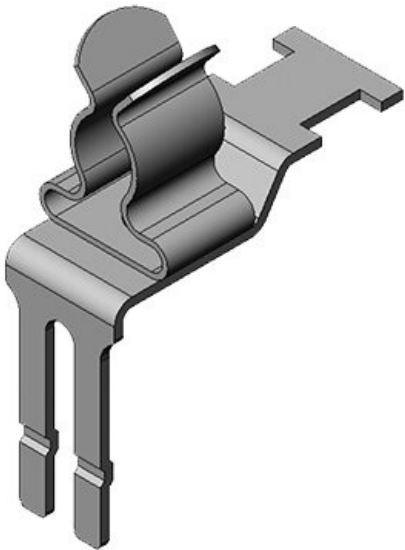
**STFZ|SKL 1.5-3**

Part No.	<b>37510.1</b>	Length	<b>26,5 mm</b>
EAN	<b>4251269305</b>	Width	<b>11,8 mm</b>
	<b>665</b>	Height	<b>32,9 mm</b>
Package quantity	<b>10</b>		
No. of shield clamps	<b>1</b>		
For max. no. of cables	<b>1</b>		
Min. shield diam. pos. 1	<b>1,5 mm</b>		
Max. shield diam. pos. 1	<b>3 mm</b>		



**STFZ|SKL 3-6**

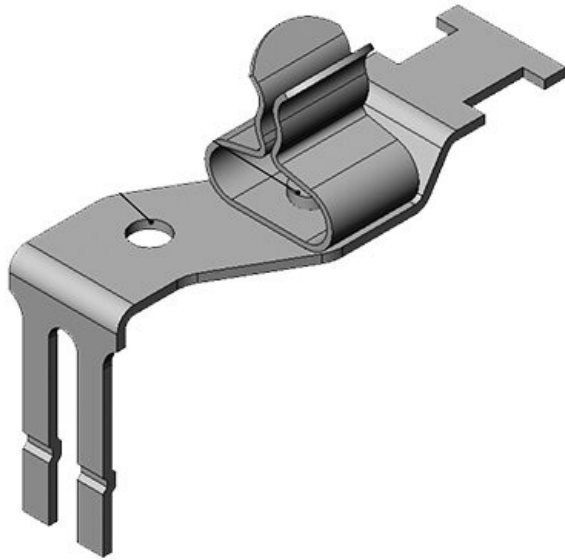
Part No.	<b>37510.2</b>	Length	<b>26,5 mm</b>
EAN	<b>4251269305</b>	Width	<b>11,8 mm</b>
	<b>672</b>	Height	<b>33,6 mm</b>
Package quantity	<b>10</b>		
No. of shield clamps	<b>1</b>		
For max. no. of cables	<b>1</b>		
Min. shield diam. pos. 1	<b>3 mm</b>		
Max. shield diam. pos. 1	<b>6 mm</b>		

**STFZ|SKL 6-8**

Part No.	<b>37510.3</b>	Length	<b>26,5 mm</b>
EAN	<b>4251269305</b>	Width	<b>11,8 mm</b>
	<b>689</b>	Height	<b>35 mm</b>
Package quantity	<b>10</b>		
No. of shield clamps	<b>1</b>		
For max. no. of cables	<b>1</b>		
Min. shield diam. pos. 1	<b>6 mm</b>		
Max. shield diam. pos. 1	<b>8 mm</b>		

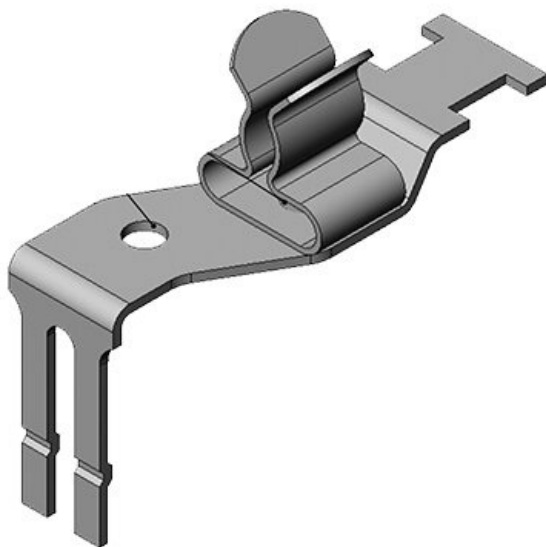
STFZ2|01

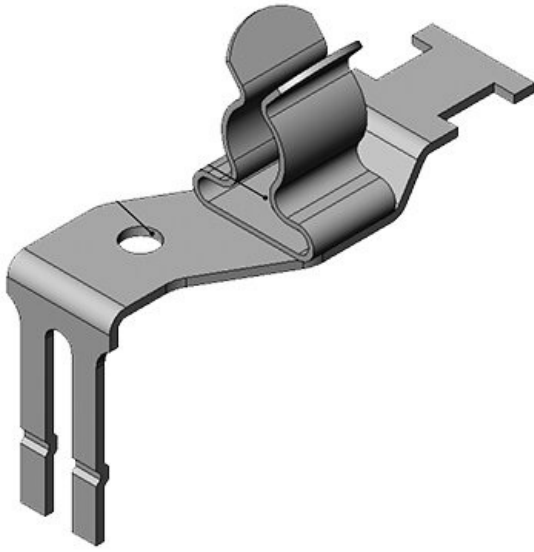
Part No.	<b>37505.01</b>	Length	<b>36 mm</b>
EAN	<b>4251269305</b>	Width	<b>16 mm</b>
	<b>368</b>	Height	<b>33 mm</b>
Package quantity	<b>10</b>		
No. of shield clamps	<b>1</b>		
For max. no. of cables	<b>1</b>		
Min. shield diam. pos. 2	<b>1,5 mm</b>		
Max. shield diam. pos. 2	<b>3 mm</b>		



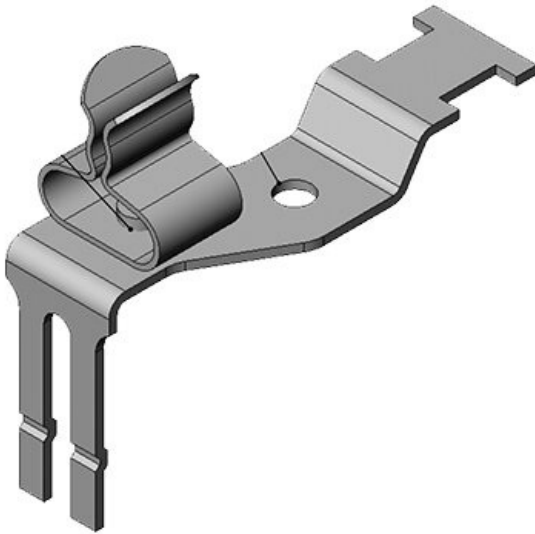
STFZ2|02

Part No.	<b>37505.02</b>	Length	<b>36 mm</b>
EAN	<b>4251269305</b>	Width	<b>16 mm</b>
	<b>375</b>	Height	<b>34 mm</b>
Package quantity	<b>10</b>		
No. of shield clamps	<b>1</b>		
For max. no. of cables	<b>1</b>		
Min. shield diam. pos. 2	<b>3 mm</b>		
Max. shield diam. pos. 2	<b>6 mm</b>		





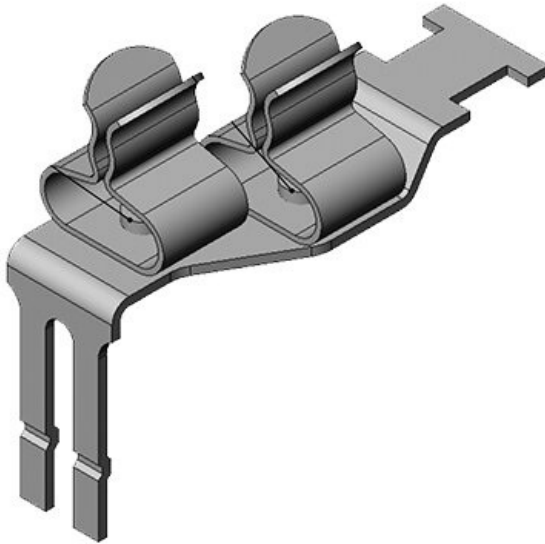
Part No.	<b>37505.03</b>	Length	<b>36 mm</b>
EAN	<b>4251269305</b>	Width	<b>16 mm</b>
	<b>382</b>	Height	<b>35 mm</b>
Package quantity	<b>10</b>		
No. of shield clamps	<b>1</b>		
For max. no. of cables	<b>1</b>		
Min. shield diam. pos. 2	<b>6 mm</b>		
Max. shield diam. pos. 2	<b>8 mm</b>		



Part No.	<b>37505.10</b>	Length	<b>36 mm</b>
EAN	<b>4251269305</b>	Width	<b>16 mm</b>
	<b>399</b>	Height	<b>33 mm</b>
Package quantity	<b>10</b>		
No. of shield clamps	<b>1</b>		
For max. no. of cables	<b>1</b>		
Min. shield diam. pos. 1	<b>1,5 mm</b>		
Max. shield diam. pos. 1	<b>3 mm</b>		

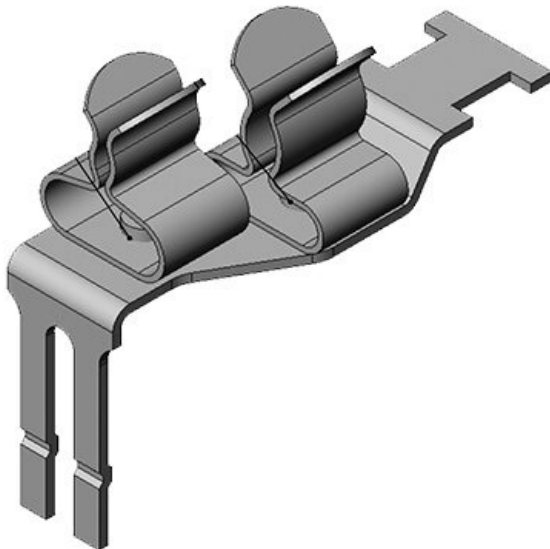
STFZ2|11

Part No.	<b>37505.11</b>	Min. shield	<b>1,5 mm</b>
EAN	<b>4251269305</b>	diam. pos. 2	
	<b>405</b>	Max. shield	<b>3 mm</b>
Package	<b>10</b>	diam. pos. 2	
quantity		Length	<b>36 mm</b>
No. of shield	<b>2</b>	Width	<b>17 mm</b>
clamps		Height	<b>33 mm</b>
For max. no. of 2			
cables			
Min. shield	<b>1,5 mm</b>		
diam. pos. 1			
Max. shield	<b>3 mm</b>		
diam. pos. 1			

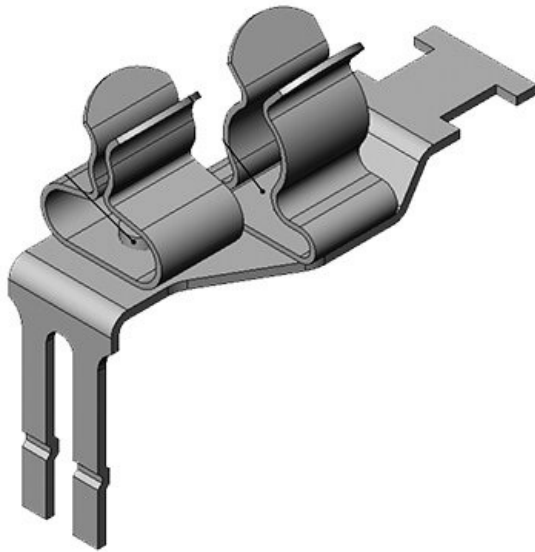


STFZ2|12

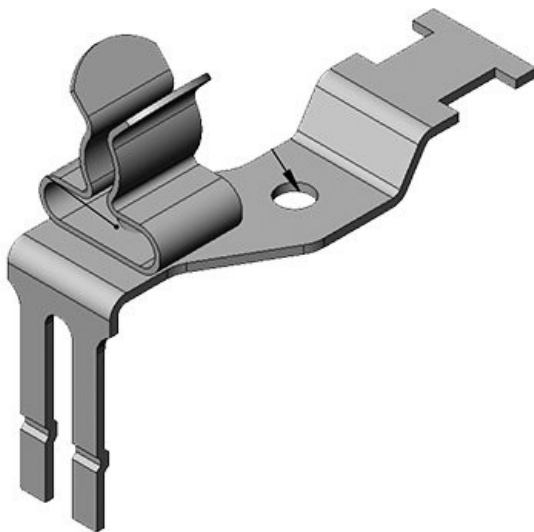
Part No.	<b>37505.12</b>	Min. shield	<b>3 mm</b>
EAN	<b>4251269305</b>	diam. pos. 2	
	<b>412</b>	Max. shield	<b>6 mm</b>
Package	<b>10</b>	diam. pos. 2	
quantity		Length	<b>36 mm</b>
No. of shield	<b>2</b>	Width	<b>17 mm</b>
clamps		Height	<b>34 mm</b>
For max. no. of 2			
cables			
Min. shield	<b>1,5 mm</b>		
diam. pos. 1			
Max. shield	<b>3 mm</b>		
diam. pos. 1			







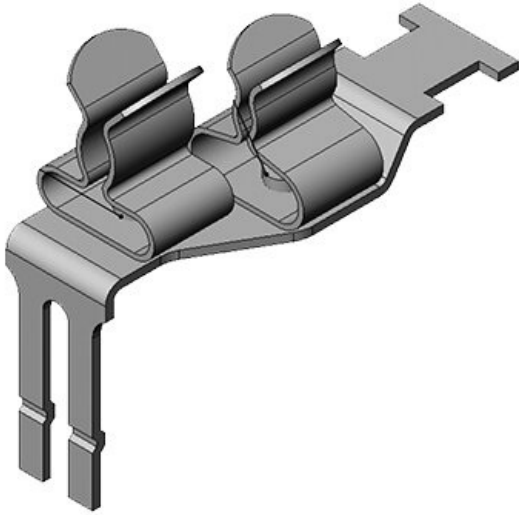
Part No.	<b>37505.13</b>	Min. shield	<b>6 mm</b>
EAN	<b>4251269305</b>	diam. pos. 2	
	<b>429</b>	Max. shield	<b>8 mm</b>
Package	<b>10</b>	diam. pos. 2	
quantity		Length	<b>36 mm</b>
No. of shield	<b>2</b>	Width	<b>17 mm</b>
clamps		Height	<b>35 mm</b>
For max. no. of	<b>2</b>		
cables			
Min. shield	<b>1,5 mm</b>		
diam. pos. 1			
Max. shield	<b>3 mm</b>		
diam. pos. 1			



Part No.	<b>37505.20</b>	Length	<b>36 mm</b>
EAN	<b>4251269305</b>	Width	<b>16 mm</b>
	<b>436</b>	Height	<b>34 mm</b>
Package	<b>10</b>		
quantity			
No. of shield	<b>1</b>		
clamps			
For max. no. of	<b>1</b>		
cables			
Min. shield	<b>3 mm</b>		
diam. pos. 1			
Max. shield	<b>6 mm</b>		
diam. pos. 1			

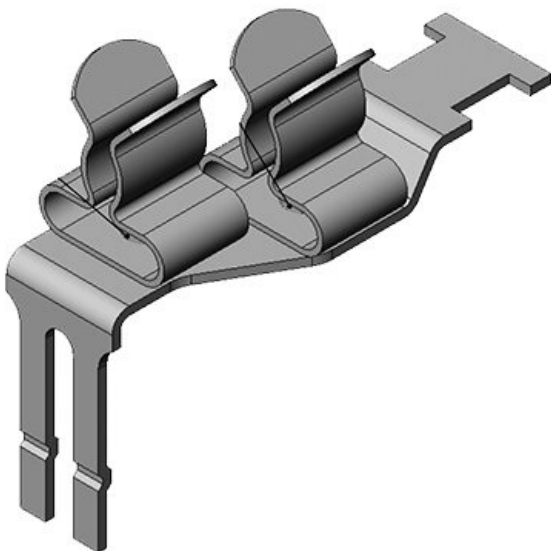
STFZ2|21

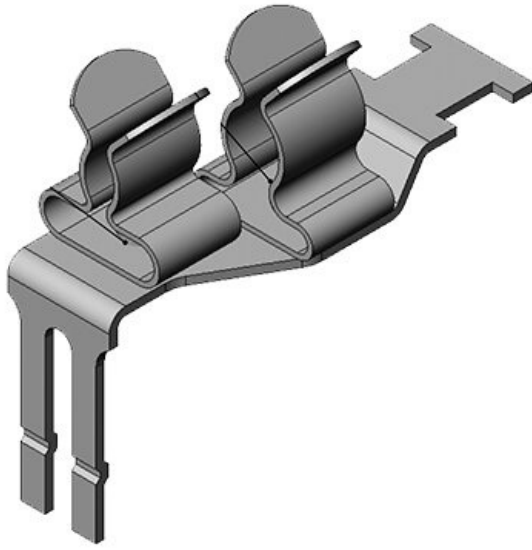
Part No.	<b>37505.21</b>	Min. shield	<b>1,5 mm</b>
EAN	<b>4251269305</b>	diam. pos. 2	
	<b>443</b>	Max. shield	<b>3 mm</b>
Package	<b>10</b>	diam. pos. 2	
quantity		Length	<b>36 mm</b>
No. of shield	<b>2</b>	Width	<b>17 mm</b>
clamps		Height	<b>34 mm</b>
For max. no. of 2			
cables			
Min. shield	<b>3 mm</b>		
diam. pos. 1			
Max. shield	<b>6 mm</b>		
diam. pos. 1			



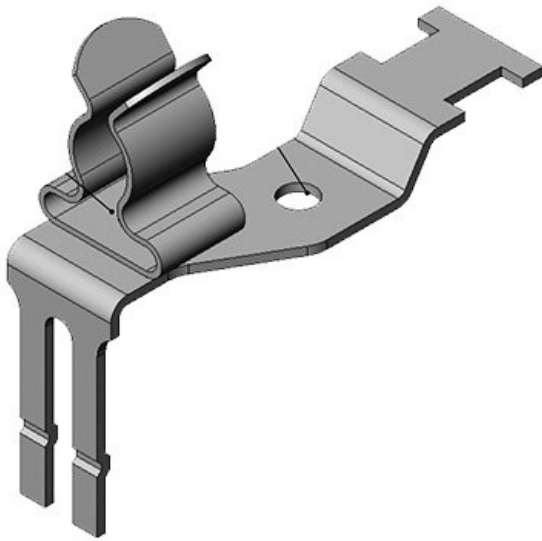
STFZ2|22

Part No.	<b>37505.22</b>	Min. shield	<b>3 mm</b>
EAN	<b>4251269305</b>	diam. pos. 2	
	<b>450</b>	Max. shield	<b>6 mm</b>
Package	<b>10</b>	diam. pos. 2	
quantity		Length	<b>36 mm</b>
No. of shield	<b>2</b>	Width	<b>17 mm</b>
clamps		Height	<b>34 mm</b>
For max. no. of 2			
cables			
Min. shield	<b>3 mm</b>		
diam. pos. 1			
Max. shield	<b>6 mm</b>		
diam. pos. 1			





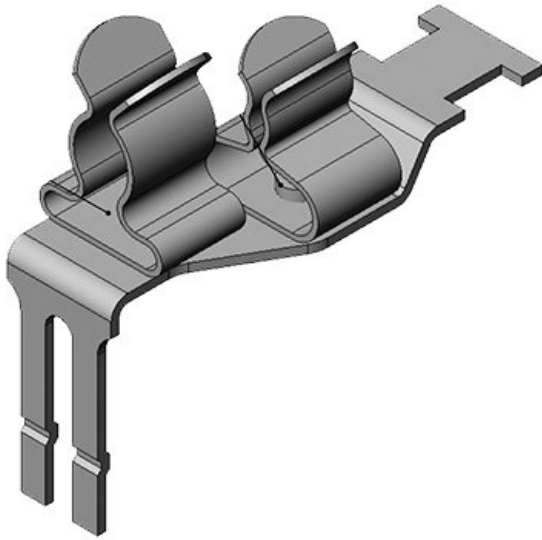
Part No.	<b>37505.23</b>	Min. shield	<b>6 mm</b>
EAN	<b>4251269305</b>	diam. pos. 2	
	<b>467</b>	Max. shield	<b>8 mm</b>
Package	<b>10</b>	diam. pos. 2	
quantity		Length	<b>36 mm</b>
No. of shield	<b>2</b>	Width	<b>17 mm</b>
clamps		Height	<b>35 mm</b>
For max. no. of	<b>2</b>		
cables			
Min. shield	<b>3 mm</b>		
diam. pos. 1			
Max. shield	<b>6 mm</b>		
diam. pos. 1			



Part No.	<b>37505.30</b>	Length	<b>36 mm</b>
EAN	<b>4251269305</b>	Width	<b>16 mm</b>
	<b>474</b>	Height	<b>35 mm</b>
Package	<b>10</b>		
quantity			
No. of shield	<b>1</b>		
clamps			
For max. no. of	<b>1</b>		
cables			
Min. shield	<b>6 mm</b>		
diam. pos. 1			
Max. shield	<b>8 mm</b>		
diam. pos. 1			

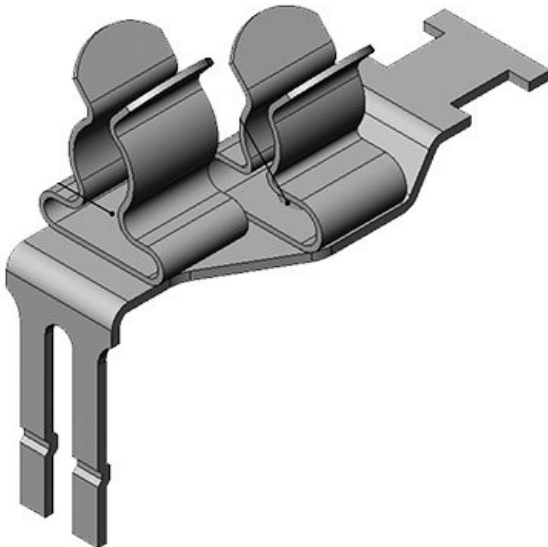
STFZ2|31

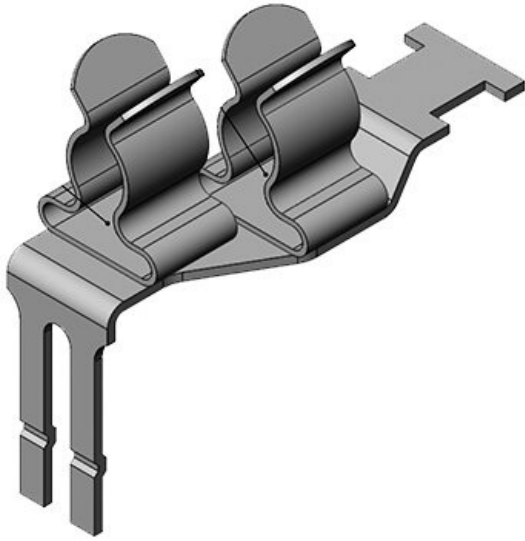
Part No.	<b>37505.31</b>	Min. shield	<b>1,5 mm</b>
EAN	<b>4251269305</b>	diam. pos. 2	
	<b>481</b>	Max. shield	<b>3 mm</b>
Package	<b>10</b>	diam. pos. 2	
quantity		Length	<b>36 mm</b>
No. of shield	<b>2</b>	Width	<b>17 mm</b>
clamps		Height	<b>35 mm</b>
For max. no. of 2			
cables			
Min. shield	<b>6 mm</b>		
diam. pos. 1			
Max. shield	<b>8 mm</b>		
diam. pos. 1			



STFZ2|32

Part No.	<b>37505.32</b>	Min. shield	<b>3 mm</b>
EAN	<b>4251269305</b>	diam. pos. 2	
	<b>498</b>	Max. shield	<b>6 mm</b>
Package	<b>10</b>	diam. pos. 2	
quantity		Length	<b>36 mm</b>
No. of shield	<b>2</b>	Width	<b>17 mm</b>
clamps		Height	<b>35 mm</b>
For max. no. of 2			
cables			
Min. shield	<b>6 mm</b>		
diam. pos. 1			
Max. shield	<b>8 mm</b>		
diam. pos. 1			





Part No.	<b>37505.33</b>	Min. shield	<b>6 mm</b>
EAN	<b>4251269305</b>	diam. pos. 2	
	<b>504</b>	Max. shield	<b>8 mm</b>
Package	<b>10</b>	diam. pos. 2	
quantity		Length	<b>36 mm</b>
No. of shield	<b>2</b>	Width	<b>17 mm</b>
clamps		Height	<b>35 mm</b>
For max. no. of 2			
cables			
Min. shield	<b>6 mm</b>		
diam. pos. 1			
Max. shield	<b>8 mm</b>		
diam. pos. 1			

## STFZ I/O Insert Tool



Part No.	<b>61430</b>
EAN	
Package	<b>1</b>
quantity	